

SLIDING TABLE

CV 1 C

Spare part catalogue

For serviceman

April 14, 2003

ROJEK

Woodworking Machinery
Masarykova 16
517 50 Castolovice
Czech Republic

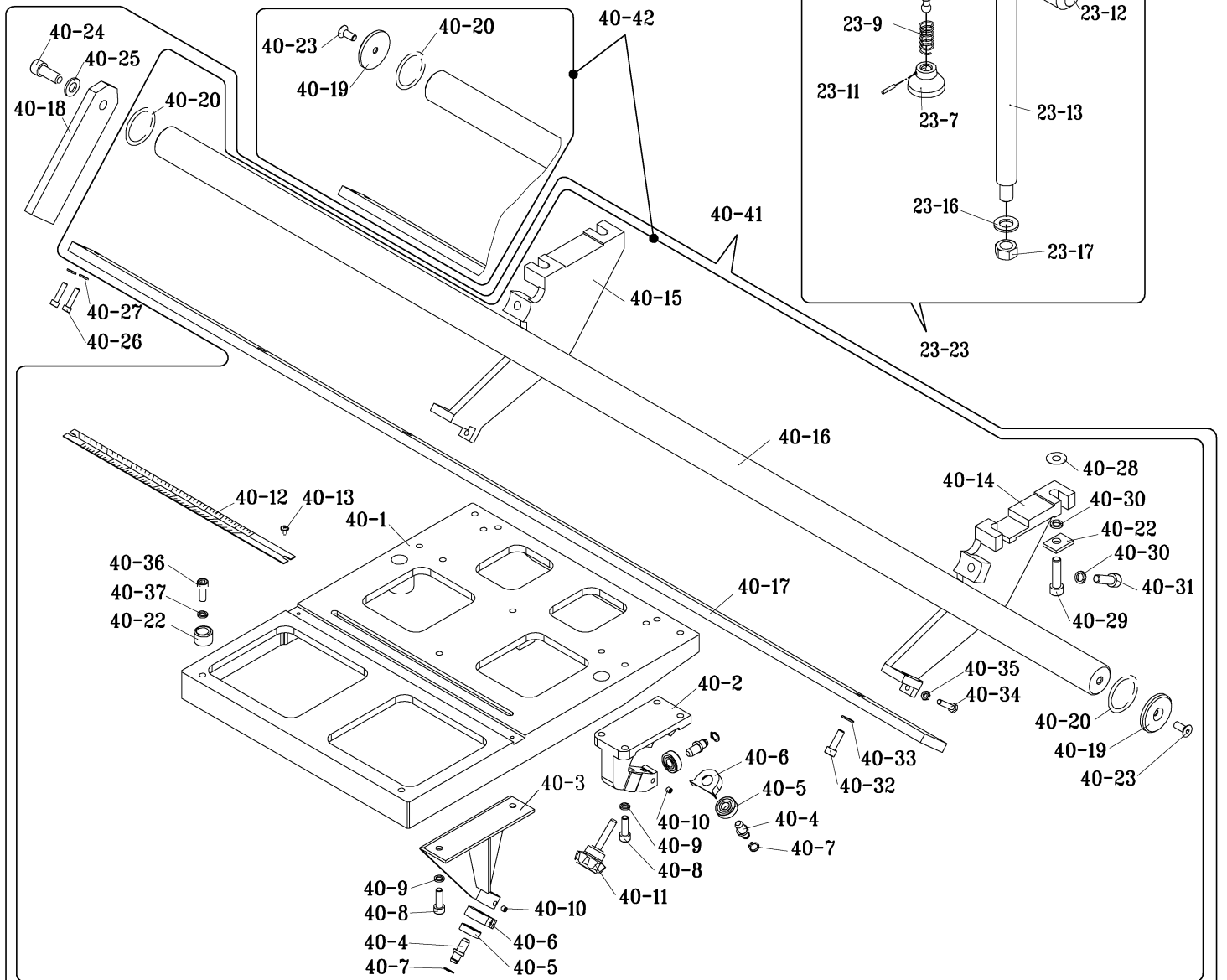
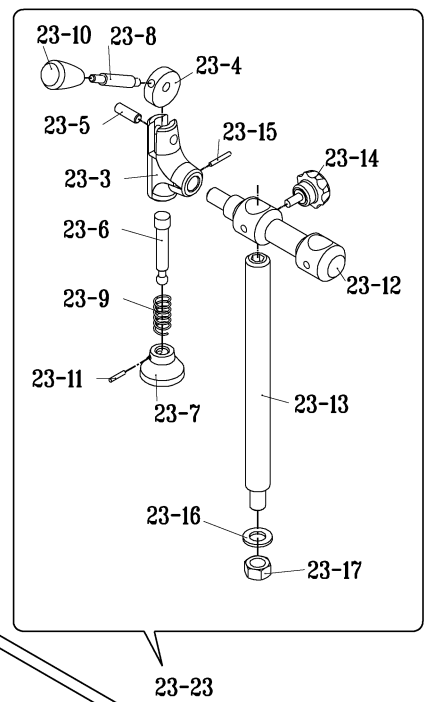
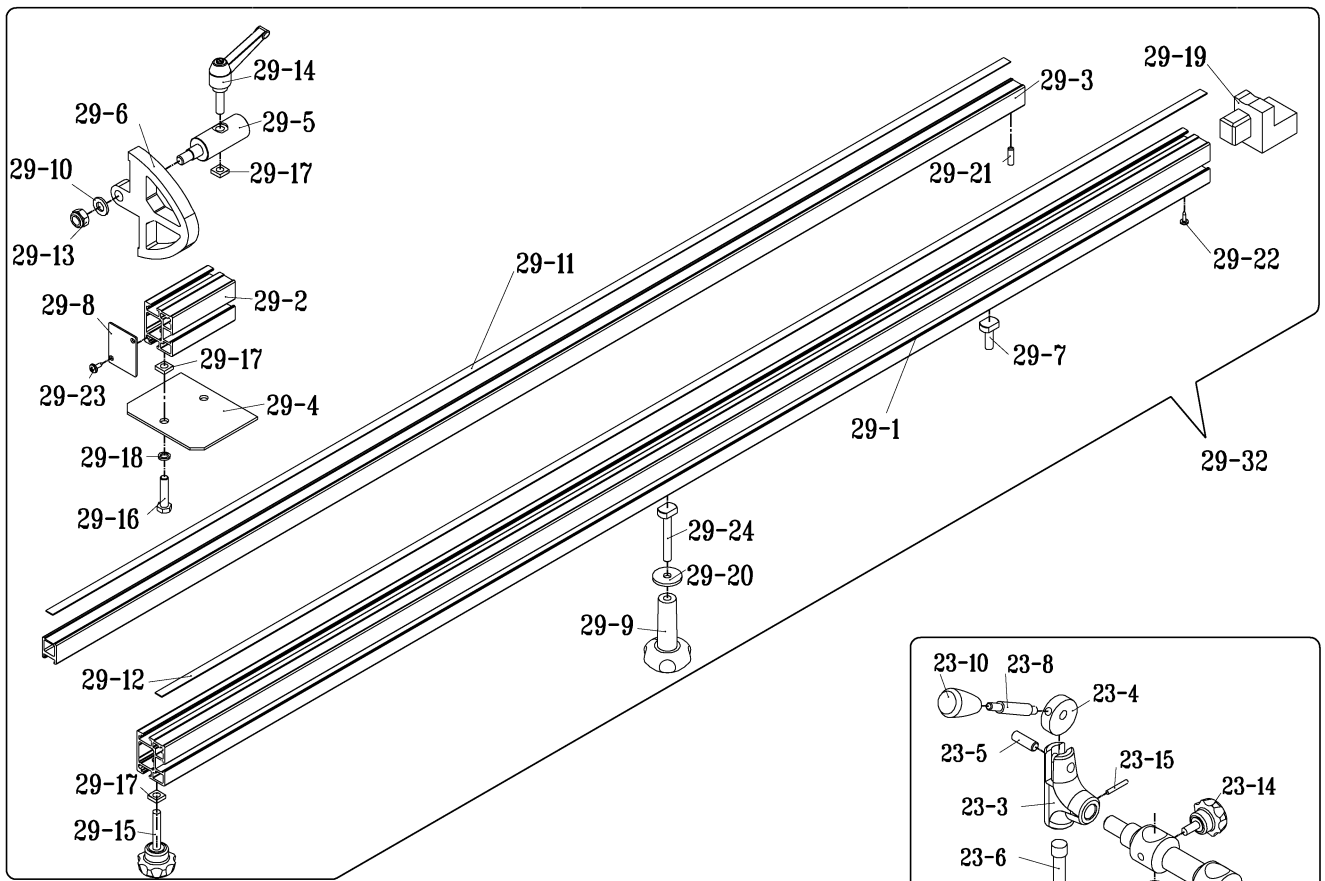
Tel.: +420 494 339 137-41
Fax: +420 494 323 341
E-mail: export@rojek.cz
www.rojek.cz

ND 008:

23 - Eccentric woodpresser

29 - Cross-cutting fence

40 - Table with guide



SLIDING TABLE CV 1 C					
Position	Description	Norm	Stock number	pc	Note
23	Eccentric woodpresser				
23-3	Body		3 600 038	1	
23-4	Eccenter		3 600 039	1	
23-5	Pin Ø10		3 600 040	1	
23-6	Pin Ø12		3 600 041	1	
23-7	Support		3 600 057	1	
23-8	Lever		3 600 043	1	
23-9	Spring	3 600 050	6 315 952 020 007	1	
23-10	Handle Ø28 / M8	ČSN 02 5182.21	6 321 461 002 808	1	
23-11	Pin 4 x 20	DIN 7344	6 311 151 066 000	1	
23-12	Arm		3 610 013	1	
23-13	Column		3 610 012	1	
23-14	Rosette Ø40	2 620 017/1	6 321 461 100 000	1	
23-15	Pin 4 x 28	ČSN 02 2156	6 311 151 132 900	1	
23-16	Washer 17	ČSN 02 1702.15	6 311 131 711 700	1	
23-17	Nut M16	ČSN 02 1401.25	6 311 122 703 800	1	
23-19					
23-20					
23-21					
23-23	Assembly		2 610 014	1	
29	Cross-cutting fence				
29-1	External fence profile		3 621 021.1	1	
29-2	External short fence profile		3 630 034.1	1	
29-3	Internal fence profile		3 621 022.1	1	
29-4	Support		3 630 036.1	1	
29-5	Slider		3 630 039.1	2	
29-6	Tiltable stop		3 630 040.1	2	
29-7	Pin		3 621 014.2	1	
29-8	Cover-piece		3 630 037.1	1	
29-9	Prolonged rosette M8		6 321 464 000 800	1	
29-10	Washer 10,5	ČSN 02 1702.15	6 311 131 711 400	2	
29-11	Right measuring tape		3 621 023	1	mm
29-11	Right measuring tape		3 627 023	1	mm + inch
29-12	Left measuring tape		3 621 024	1	mm
29-12	Left measuring tape		3 627 024	1	mm + inch
29-13	Nut M10	ČSN 02 1492.25	6 311 123 901 100	2	
29-14	Fixing handle M8 x 30		6 321 465 000 250	2	
29-15	Rosette Ø40	2 620 017.1	6 321 461 100 000	2	
29-16	Screw M8 x 35	ČSN 02 1103.25	6 309 203 081 475	2	

SLIDING TABLE CV 1 C					
Position	Description	Norm	Stock number	pc	Note
29-17	Square nut M8	DIN 562	6 311 127 000 800	6	
29-18	Washer 8,2	ČSN 02 1740.05	6 311 131 765 700	2	
29-19	cap	3 630 048.1/B	6 052 605 200 001	1	
29-20	Washer		3 900 420	1	
29-21	Screw M6 x 20	ČSN 02 1187.72	6 311 112 300 690	1	
29-22	Screw 4,2 x 13	DIN 7981	6 310 111 006 230	1	
29-23	Screw 4,8 x 13	DIN 7981	6 310 111 006 235	2	
29-24	Pin		3 631 007.2	1	
29-29					
29-30					
29-31					
29-32	Assembly		2 621 020.1	1	
40	Table with guide				
40-1	Table		3 621 001.1	1	
40-2	Bearing holder		3 630 018	2	
40-3	Support		2 625 003	1	
40-4	Small eccenter		3 630 019	7	
40-5	Bearing 6000 2RS		6 324 165 005 360	7	
40-6	Bearing cover	3 633 056	6 321 821 633 056	5	
40-7	Ring 10	ČSN 02 2930.00	6 311 173 075 500	7	
40-8	Screw M8 x 25	ČSN 02 1143.55	6 309 543 250 200	10	
40-9	Washer 8,2	ČSN 02 1740.05	6 311 131 765 700	10	
40-10	Screw M6 x 6	ČSN 02 1187.72	6 311 112 290 780	7	
40-11	Rosette Ø40 M8x40		6 321 461 100 115	1	
40-12	Protractor		3 621 028.1	1	
40-13	Screw M4 x 8	METALVIS	6 309 201 004 800	2	
40-14	Right holder		3 625 002	1	
40-15	Left holder		3 626 005	1	
40-16	Leading bar		3 626 008	1	
40-17	Guide		3 626 018	1	
40-19	Front stop		3 630 027	2	
40-20	Ring O	ČSN 02 9280	6 273 111 002 800	2	
40-21	Stop eccenter		3 621 017	1	
40-22	Washer		3 625 022	4	
40-23	Screw M8 x 20	DIN 7991	6 310 111 006 300	2	
40-28	Washer		3 630 063	12	
40-29	Screw M10 x 40	ČSN 02 1143.55	6 311 113 647 000	4	
40-30	Washer 10,2	ČSN 02 1740.05	6 311 131 765 800	6	
40-31	Screw M10 x 30	ČSN 02 1143.55	6 309 543 261 020	2	
40-32	Screw M8 x 25	ČSN 02 1143.55	6 309 543 250 200	4	

SLIDING TABLE CV 1 C					
Position	Description	Norm	Stock number	pc	Note
40-33	Washer 8,4	ČSN 02 1702.15	6 311 131 711 300	2	
40-34	Screw M6 x 25	ČSN 02 1103.25	6 309 203 079 100	2	
40-35	Nut M6	ČSN 02 1403.25	6 311 122 721 600	2	
40-36	Screw M8 x 20	ČSN 02 1143.55	6 311 113 644 600	1	
40-37	Washer 8,2	ČSN 02 1740.05	6 311 131 765 700	3	
40-38					
40-39					
40-40					
40-42	Assembly CV1C		2 626 000k	1	

